

# Technical Data Sheet



## Catalog No. K1XGF12-2

| Characteristics |          |
|-----------------|----------|
| Phase           | 1        |
| KVA             | 2        |
| Primary         | 120X240V |
| Secondary       | 12/24V   |
| Conductor       | Copper   |
| Temp. Rise      | 115° C   |
| Frequency       | 60 HZ    |
| Taps            | None     |
| ESS             | No       |
| Insulation      | 180° C   |
| Weathershield   | N/A      |
| Wall Bracket    | Built-In |
| Weight(lbs)     | 50       |
| Sound(dB)       | 40       |

**Notes**

All units are UL listed and are designed in accordance with applicable NEMA, ANSI and IEEE standards.

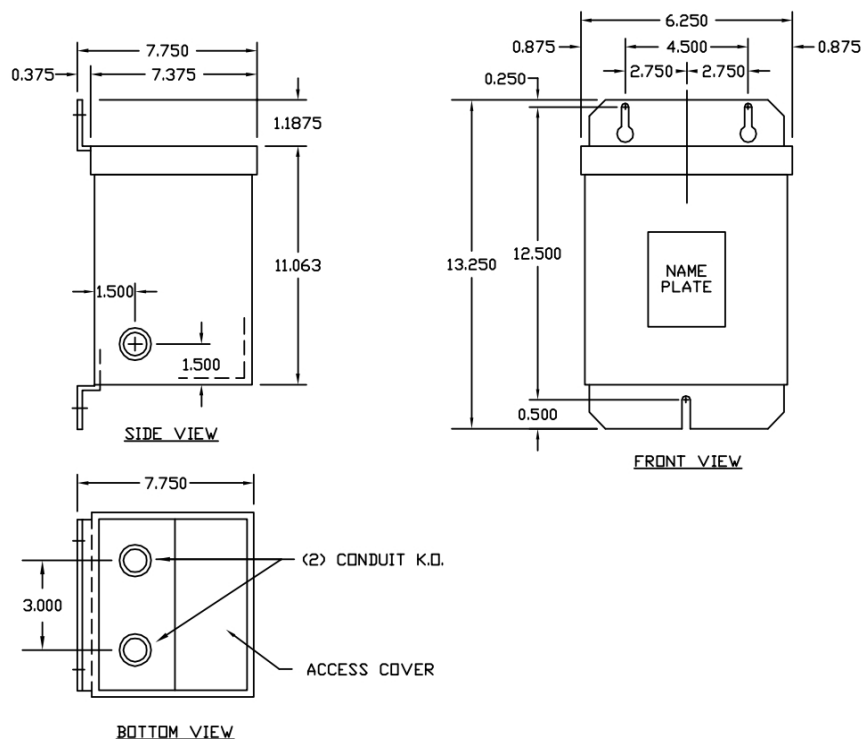
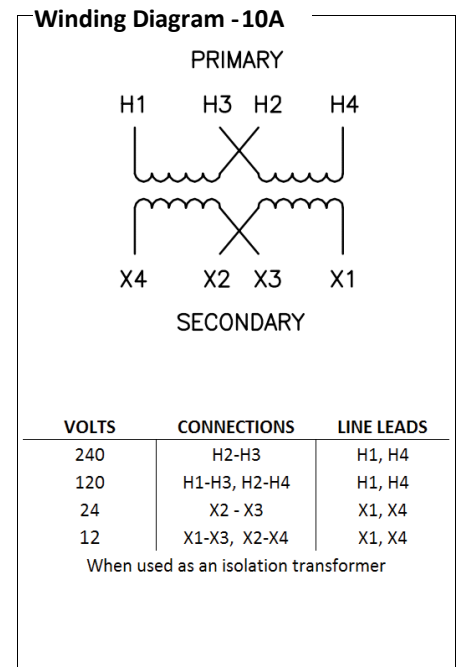
Transformers are dry-type AA, non-ventilated NEMA 3R enclosure.

Transformers are wall mounted. Wall mounting bracket is built into the enclosure.

Paint color is ANSI 61.

**AMP Ratings**

|                        |        |
|------------------------|--------|
| Line In (Load) @ 120V  | 16.7A  |
| Line In (Load) @ 240V  | 8.3A   |
| Load (Secondary) @ 12V | 166.7A |
| Load (Secondary) @ 24V | 83.3A  |



Outline No: 05A1464